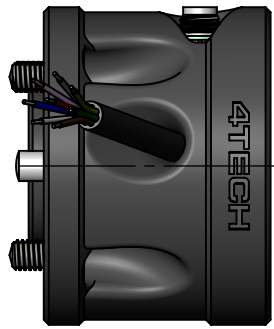
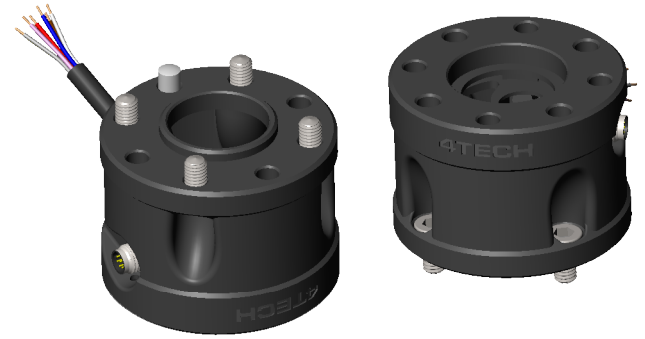
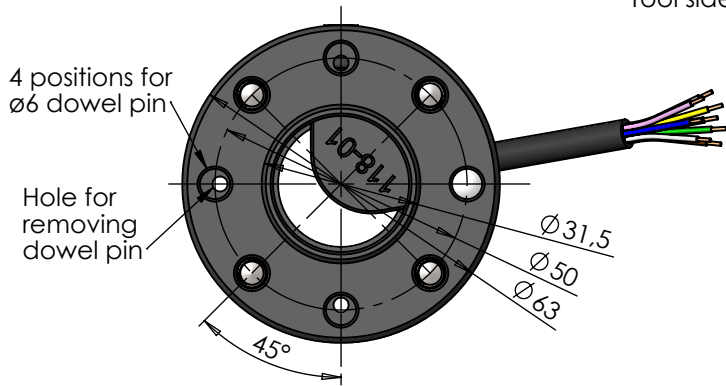


Extension cable: (2m)
 Belden: Snap-in IP67
 Subminiature Serie 620
 Order nr.: 79-9258-020-08
 (RS-Components: 734-5353)

Klick cable
 Belden: Snap-in IP67
 Subminiature Serie 620
 Cable length: 0.5 M



4 positions for $\varnothing 6$ dowel pin
 Hole for removing dowel pin



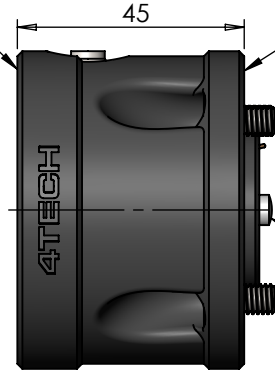
Tool side

45

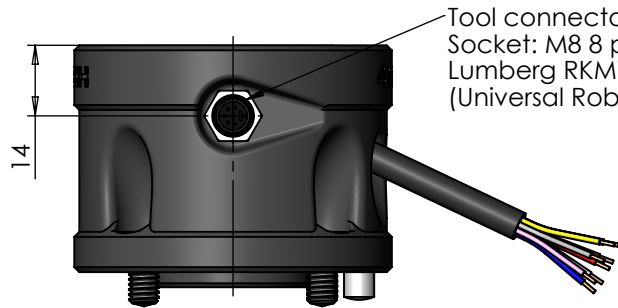
Robot side

4x M6x10
 DIN 7984 (low head)
 Max torque: 1Nm

$\varnothing 6$ m6 dowl pin



OMRON TM5
 docking with
 Kelvin Tool Changer



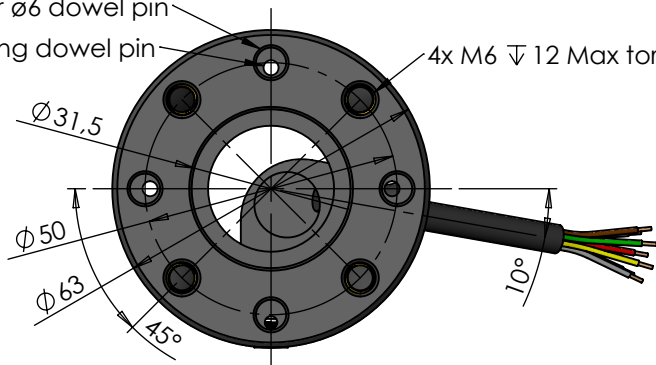
Tool connector:
 Socket: M8 8 pins, male
 Lumberg RKMW 8-354
 (Universal Robots)

14

Weight: 106 g (including: 0.5 m cable, 4x M6x10)

4 positions for $\varnothing 6$ dowel pin
 Hole for removing dowel pin

4x M6 ∇ 12 Max torque 1Nm



More information: www.toolchanger.eu

3D CAD files: www.toolchanger.eu/download.htm

Rev:	Revision text:	Date:	Sign:
Material:	3D printed polyamid	Tolerance:	Colour:
Status:		Surface treatment:	
4TECH Robotics Aps 4TECH Robotics Bülowsgade 36 8000 Aarhus C www.4tech.dk		Sheet: A4	Scale: 2:3
Description: Robot adapter flange: UR-2-UR		Date: 29/7 2020	Sign: HF
		Item number: 119-01-Flange-UR-2-UR	