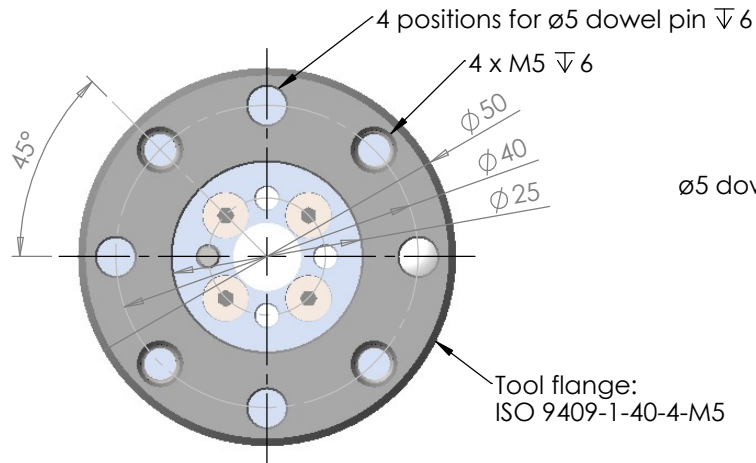
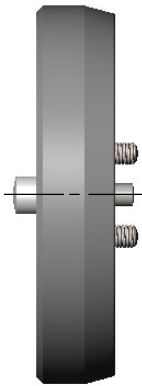
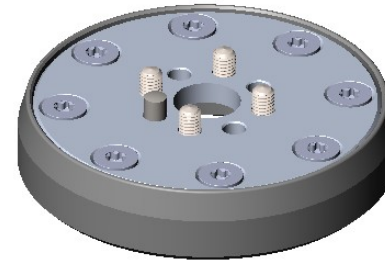
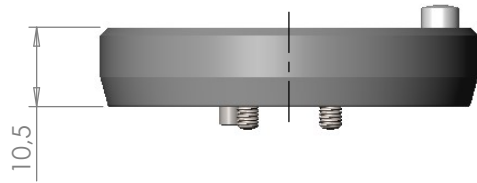
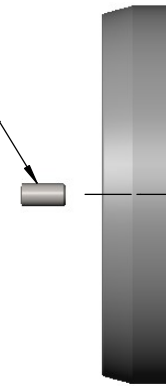


Distance from robot flange to tool flange



ø5 dowel pin

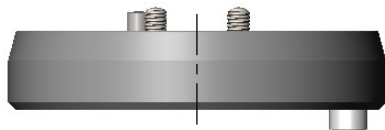


4 x M3x6 Max torque: 0.5 Nm

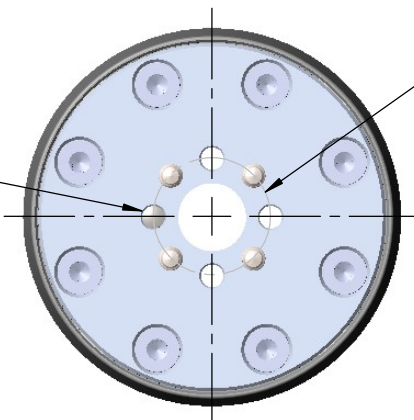
M6 dowel pin



Adapter flange on Meca500 robot



4 positions for ø3 dowel pins



Robot flange for Meca500

Weight: 27 g (including 4 x M3)

More information: www.toolchanger.eu

3D CAD files: www.toolchanger.eu/download.htm

Rev:	Revision text:	Date:	Sign:
Material:	3D printed polyamid	Tolerance:	Colour:
Status:	Surface treatment:		
<p>4TECH Robotics Bülowsgade 36 8000 Aarhus C www.4tech.dk</p>		Sheet:	A4
		Scale:	1:1
Description:		Date:	Sign:
Adapterflange: Meca500-40-4-M5		31/1 2022	HF
Item number:		134-01-Meca500-40-4-M6	