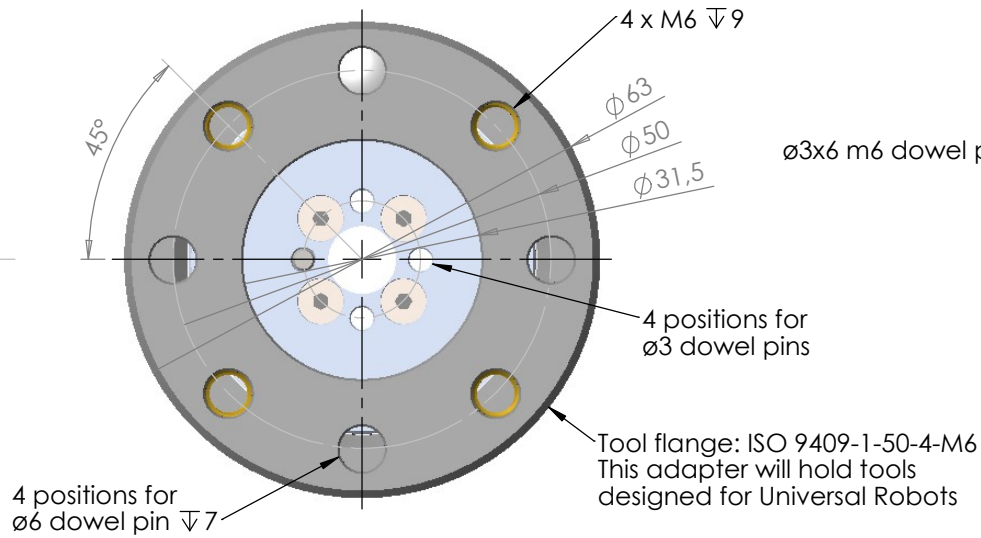
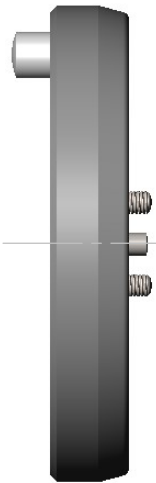
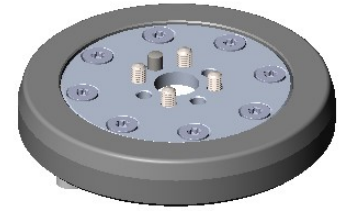
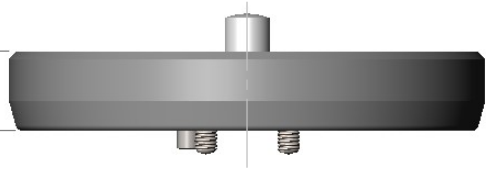


Distance from robot flange to tool flange

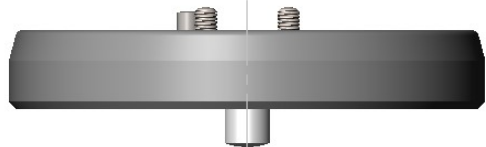
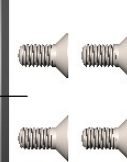
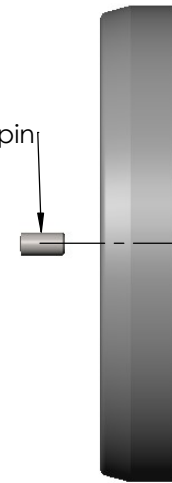
10,5



ϕ 3x6 m6 dowel pin

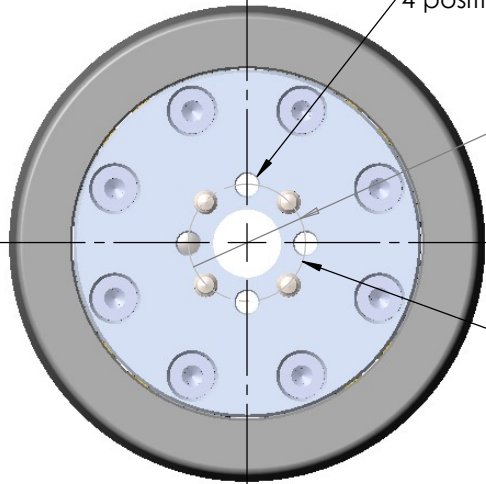
ϕ 6x12 m6 dowel pin

4 x M3x6
Max torque: 0.5 Nm



4 positions for ϕ 6 dowel pin ∇ 7

4 positions for ϕ 3 dowel pins



Weight: 42 g (including 4 x M3)

More information: www.toolchanger.eu

3D CAD files: www.toolchanger.eu/download.htm

Rev:	Revision text:	Date:	Sign:
Material:	3D printet polyaramid	Tolerance:	Colour:
Status:		Surface treatment:	
		Sheet: A4	Scale: 1:1
Description: Adapterflange: Meca500-50-4-M6		Date: 31/1 2022	Sign: HF
		Item number:	132-01-Meca500-UR

4TECH Robotics Aps
Bülowsgade 36
8000 Aarhus C
www.4tech.dk