

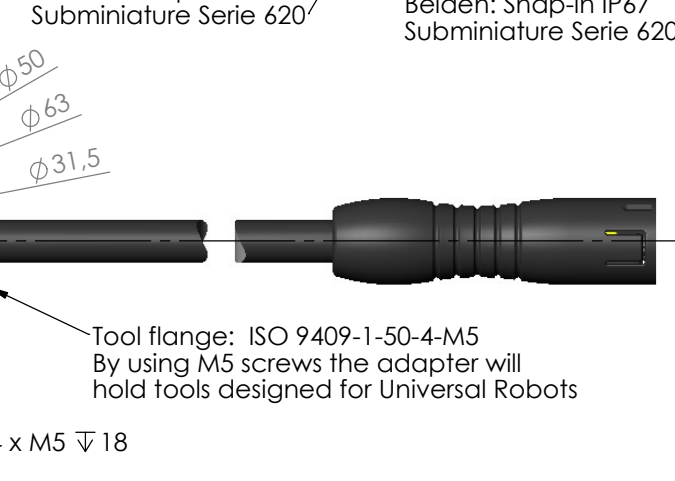
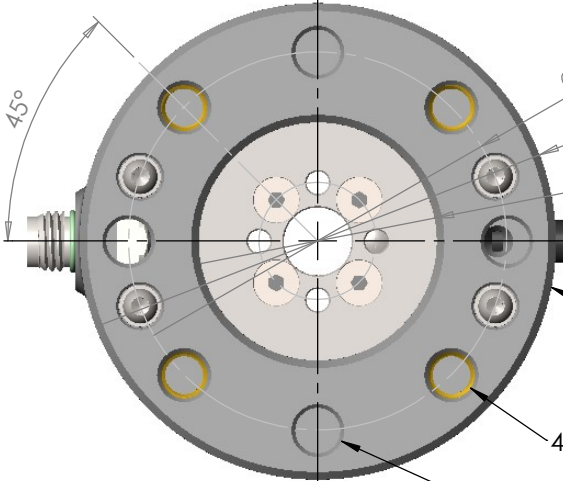
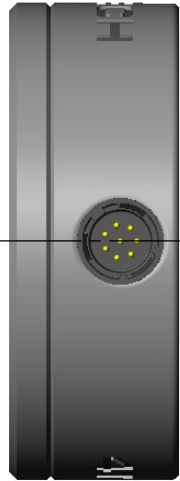
Distance from robot flange to tool flange

9,5

Cable length: 0.5 m

Klick cable
Belden: Snap-in IP67
Subminiature Serie 620

Extension cable (2 m):
Belden: Snap-in IP67
Subminiature Serie 620



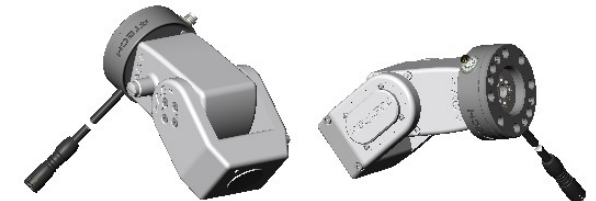
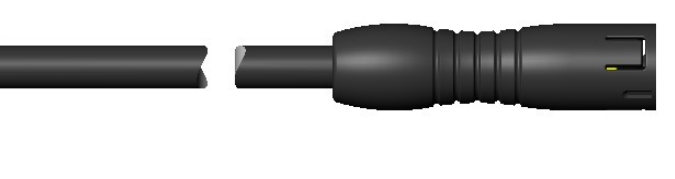
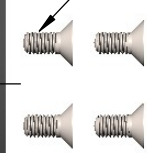
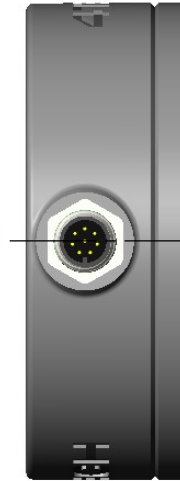
Tool flange: ISO 9409-1-50-4-M5
By using M5 screws the adapter will hold tools designed for Universal Robots

4 x M5 ∇ 18

4 positions for $\varnothing 6$ dowel pin ∇ 9

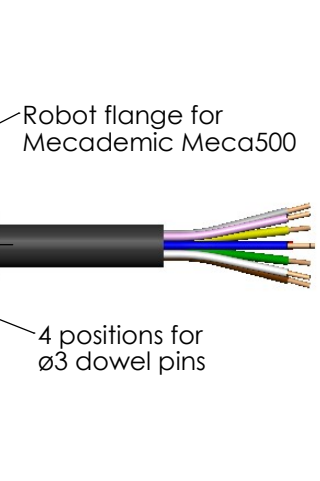
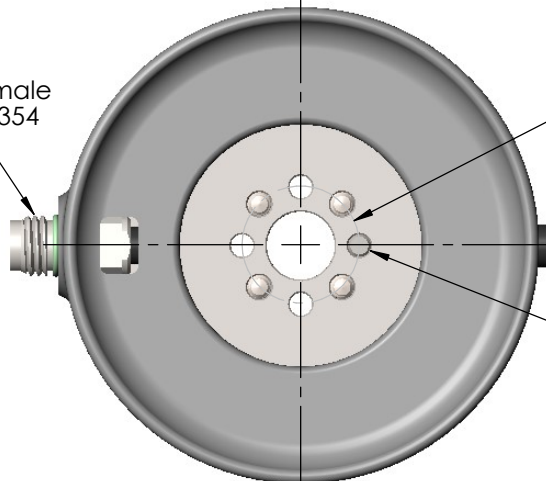
$\varnothing 3$ m6
dowel
pin

4 x M3x6
Max torque:
0.5 Nm



Adapter flange on Meca500 robot

Tool connector:
Socket: M8 8 pins, male
Lundberg RKMW 8-354
(Universal Robots)




Robot flange for
Mecademic Meca500

4 positions for
 $\varnothing 3$ dowel pins

Weight: 94 g (including 0.5 m cable, 4 x M3)

More information: www.toolchanger.eu

3D CAD files: www.toolchanger.eu/download.htm

Rev:	Revision text:	Date:	Sign:
Material:	3D printet polyaramid	Tolerance:	Colour:
Status:		Surface treatment:	
		Sheet:	A4
4TECH Robotics Bülowsgade 36 8000 Aarhus C www.4tech.dk		Scale:	1:1
Description:		Date:	31/1 2022
Adapter flange: Meca500-Kelvin B		Sign:	HF
		Item number:	123-01-MECA500-Kelvin